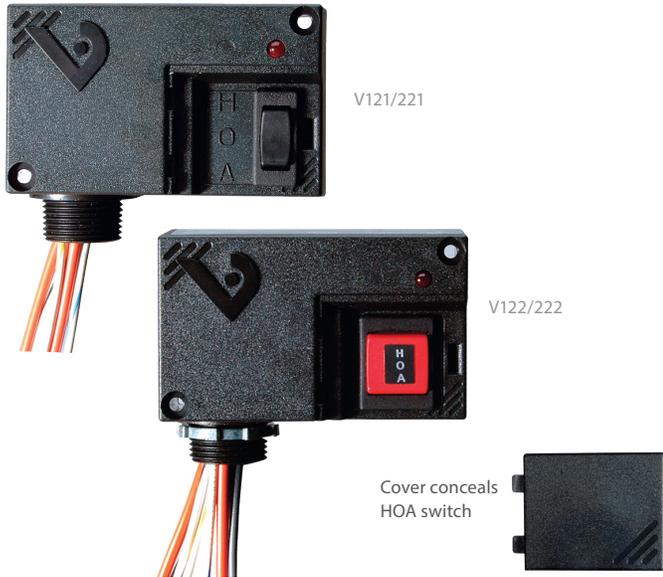


VICTORY 121, 122, & 123 SERIES

HOA Switch Provides Local Control



The Victory 121, 122, and 123 Series HOA relays have a concealed HOA switch for local control and troubleshooting with limited unauthorized switch manipulation. To further guard against control system override, the V122/V222 and V123/V223 are equipped with a monitored HOA. The V122/V222 provides a two-wire resistive output and the V123/V223 offers a three-wire digital monitor. Now you can enjoy the convenience of local control with none of the drawbacks.

SPECIFICATIONS

Operating Temp. Range	-40 to 60 °C (-40 to 131 °F)
Operating Humidity Range	10 to 90% RH non-condensing
Expected Relay Life	Electrical (@ rated current) 100,000 cycles; Mechanical (unpowered) 10,000,000 cycles
Relay Status	LED ON=energized
Insulation Class	277 Vac RMS

WIRE SPECIFICATIONS

Lead Length	14" (356 mm) min.
Gauge	UL1015; Coil: 18 AWG; Contacts: 12 AWG; HOA monitor wires: 16 AWG

V122/V222 RESISTIVE MONITOR MAXIMUMS

Voltage Max.	13.4 Vac/dc
Current Max.	4 mA AC/DC

V123/V223 DIGITAL MONITOR MAXIMUMS

Dry Circuit Contact Rating (Max.)	24 Vac/dc@100 mA
-----------------------------------	------------------

WARRANTY

Limited Warranty	5 years
------------------	---------

Protective cover

Conceals and protects the HOA switch, reducing the likelihood of tampering

Nipple mount

Allows the V121 Series to be mounted to any electrical enclosure easing installation

Switch position monitors

Allows the control system to notify personnel when a load is inadvertently left ON or OFF (V122/V222 & V123/V223 models)

Flexible wire

Flexible tinned stranded wire... fits easily in tight spaces and provides secure connections to wire nuts

UL508 Listed

Designed and listed for field installation...makes electrical inspection a snap

Sleek enclosure

Reduces the need for panel space

APPLICATIONS

- Command contactors
- Control motors
- Isolation
- Device interlocking
- Relay logic
- Sense voltages for alarm conditions

TYPICAL COIL PERFORMANCE

Voltage	Coil Current	
	AC	DC
24 V	75 mA	32 mA
120 V	42 mA	
208 V	36 mA	
277 V	39 mA	

CONTACT RATINGS

V121, V221	
Resistive	20 A @ 240 Vac
	8 A @ 28 Vdc
	12 A @ 14 Vdc
Motor	1 HP ! 120 Vac
V122, V123, V222, V223	
Resistive	20 A @ 240 Vac
	8 a @ 28 Vdc
	14 A @ 14 Vdc
Motor	1 HP @ 250 Vac

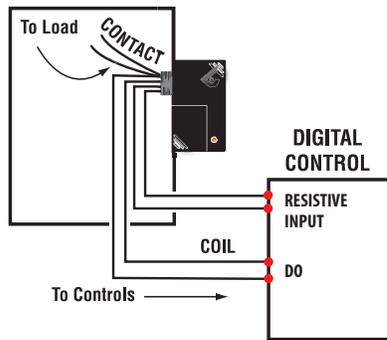
AGENCY APPROVALS

Agency Approvals	UL 508
------------------	--------

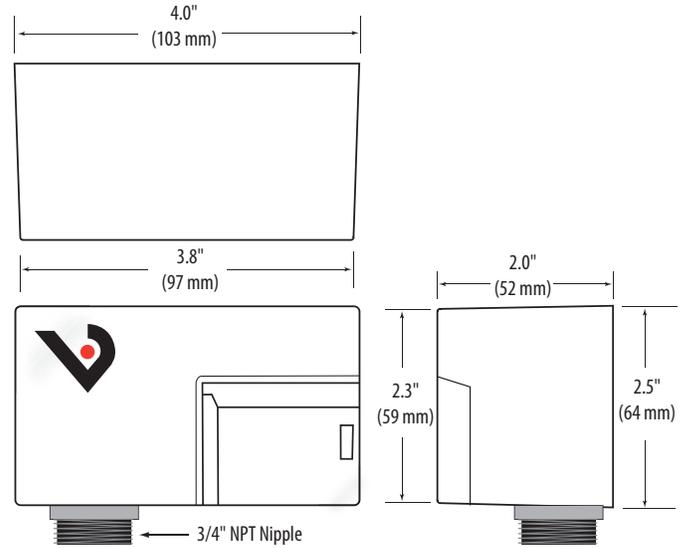


NIPPLE MOUNT DIRECTLY TO A PANEL

Wiring Diagram

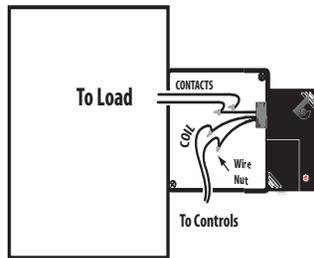


DIMENSIONAL DRAWING

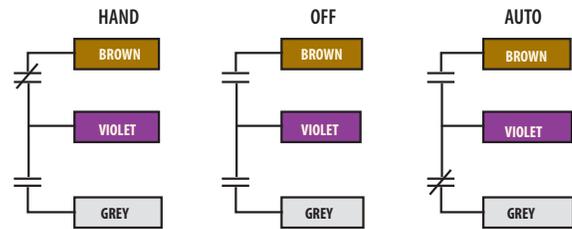


NIPPLE MOUNT TO ANY 2X OR 4X ELECTRICAL BOX

Wiring Diagram



V123/V223 DIGITAL HOA POSITION MONITOR

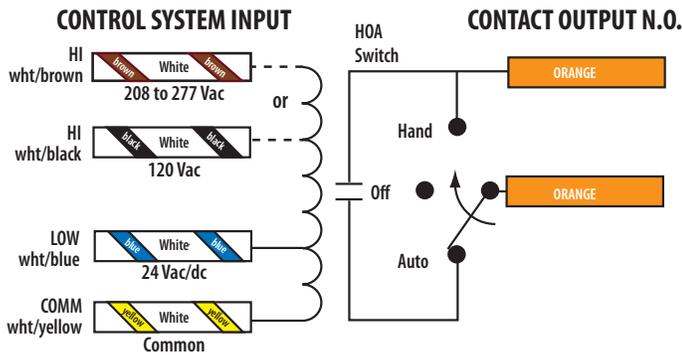


Switch Positions:

HAND = Brown wire closed to Common
OFF = Both wires open to Common

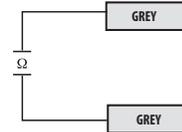
AUTO = Grey wire closed to Common
VIOLET = Common

WIRE COLOR CODES



V122/V222 RESISTIVE HOA POSITION MONITOR

Switch Positions: Cable Faults:
HAND ~ 1.4 kΩ OPEN = Infinite Ω
OFF ~ 6.2 kΩ SHORT ~ 0 Ω
AUTO ~ 3.4 kΩ



ORDERING INFORMATION

MODEL	RELAY	COIL	AMPERAGE RATING	HOA	HOA MONITOR	RELAY POWER LED	UL
V121	SPST, N.O.	24 Vac/dc, 120 Vac	20 A	•	None	•	•
V122		24 Vac/dc, 120 Vac		•	Resistive	•	•
V123		24 Vac/dc, 120 Vac		•	Digital	•	•
V221		24 Vac/dc, 208 to 277 Vac		•	None	•	•
V222		24 Vac/dc, 208 to 277 Vac		•	Resistive	•	•
V223		24 Vac/dc, 208 to 277 Vac		•	Digital	•	•

Note: Some units are Plenum rated per UL 1995. For details, see White Paper VWP01, *UL 1995 and Plenum Ratings*, at www.veris.com.

